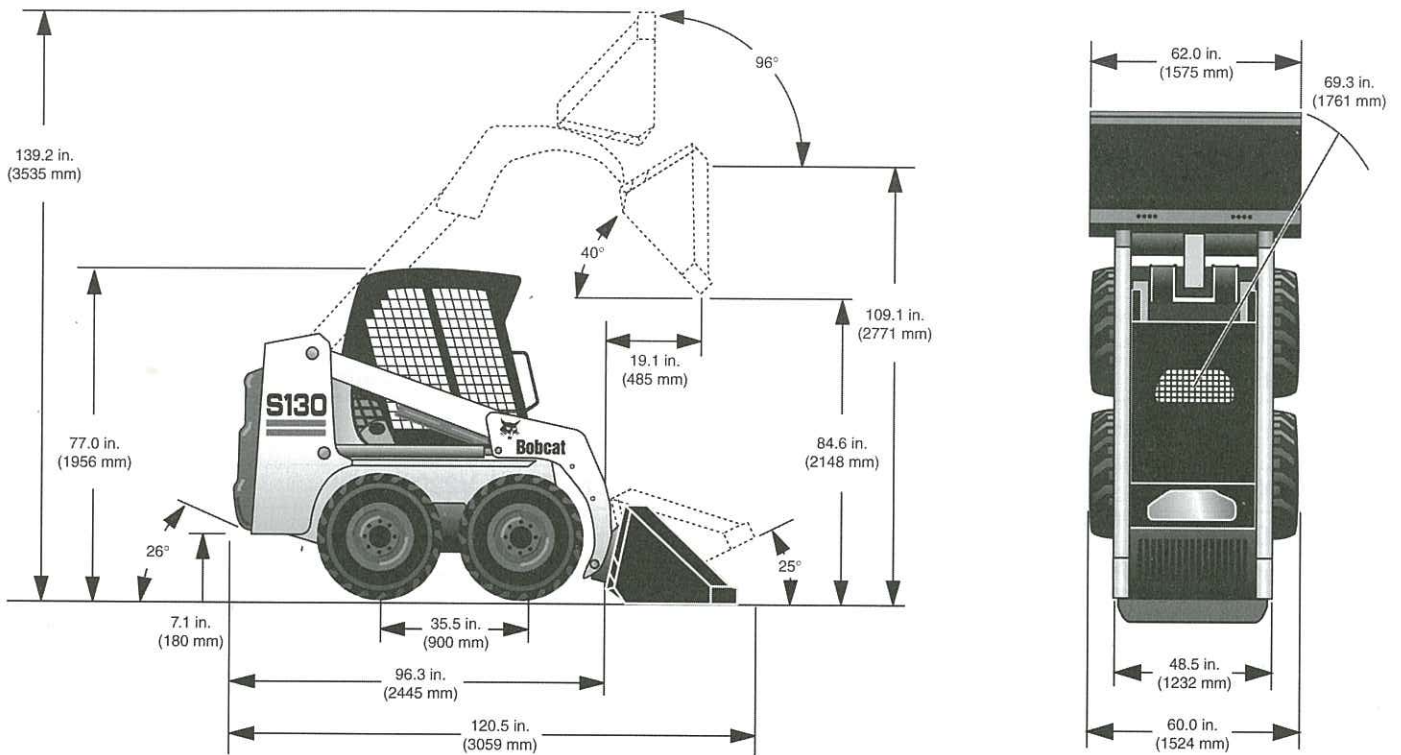


LOADER SPECIFICATIONS (S130)

Machine Dimensions

- Dimensions are given for loader equipped with standard tires and dirt bucket and may vary with other bucket types. All dimensions are shown in inches. Respective metric dimensions are given in millimeters enclosed by parentheses.
- Where applicable, specification conform to SAE or ISO standards and are subject to change without notice.



Changes of structure or weight distribution of the loader can cause changes in control and steering response and can cause failure of the loader parts.

LOADER SPECIFICATIONS (S130) (CONT'D)

Performance

Rated Operating Capacity (SAE)	1300 lbs. (612 kg)
Tipping Load (SAE Rating)	2600 lbs. (1179 kg)
Operating Weight	4740 lbs. (2150 kg)
SAE Breakout Force - Lift - Tilt	2750 lbs. (12233 N) 2800 lbs. (12455 N)
Axel Torque	4700 ft.-lbs. (6373 Nm)
Travel Speed	0-6.6 MPH (10,6 km/hr.)

Controls

Vehicle Steering	Direction and speed controlled by two hand levers.
Loader Hydraulics Lift and Tilt Front Auxiliary (Std.) Rear Auxiliary (Option)	Controlled by separate foot pedals or optional hand controls. Controlled by electrical switch on RH steering lever. Controlled by electrical switch on LH steering lever.
Engine	Hand lever throttle: Key-type starter switch and shutdown.
Starting Aid	Glow Plug-Automatically activated by Std. or Deluxe instrumentation.
Service Brake	Two independent hydrostatic systems controlled by two hand operated steering levers.
Secondary Brake	One of the hydrostatic transmissions.
Parking Brake	(Earlier), foot operated pedal. (Later) Push Button.

Engine

Make/Model	KUBOTA V2203-M-DI
Fuel/Cooling	Diesel/Liquid
Horsepower @ 2650 RPM (SAE)	Net: 43.5 HP (32.4 kW) Gross: 49.0 HP (36.5 kW)
Torque @ 1600 RPM (SAE)	Net: 107 ft.-lbs. (145 Nm) Gross: 114 ft.-lbs. (155 Nm)
Number of Cylinders	Four
Displacement	134.0 cu. in. (2195 cu. cm.)
Bore/Stroke	3.425/3.638 (87/92.4)
Lubrication	Gear Pump Pressure System W/Filter
Crankcase Ventilation	Open
Air Cleaner	Dry replaceable cartridge w/seperate safety element
Ignition	Diesel-Compression
Maximum Governed RPM	2650 RPM
Low Idle	1125-1175 RPM
High Idle	2710-2850 RPM